

Juniper

Exam JN0-643

Enterprise Routing and Switching, Professional (JNCIP-ENT)

Version: Demo

[Total Questions: 10]

Juniper JN0-643 : Practice Test

Topic break down

Topic	No. of Questions
Topic 1: NEW POOL	2
Topic 2: Exam Pool B	2
Topic 3: Exam Pool C	6

Topic 1, NEW POOL

Question No : 1 - (Topic 1)

Which two statements are correct about using LLDP on junos devices? (Choose two)

- A. LLDP operates on layer 2 and layer 3 interfaces
- B. LLDP can interoperate with the cisco discovery protocol CDP
- C. LLDP is enabled on all devices by default
- D. LLDP operates on layer 2 interfaces

Answer: A,C

Question No : 2 - (Topic 1)

When configuring class of service. What would you use to allocate bandwidth to a forwarding class?

- A. buffer depth
- B. transmit rate
- C. bandwidth
- D. speed

Answer: B

Topic 2, Exam Pool B

Question No : 3 - (Topic 2)

R1 and R2 are ASBRs in the same area, each with an equal cost external path to the same external network prefix. R1 advertises an external route into OSPF with a Type 1 metric. R2 advertises an external route into OSPF with a Type 2 metric.

Which route would be preferred?

- A. R1's route is preferred because Type 1 metrics take into account the external cost only.
- B. R1's route is preferred because Type 1 metrics take into account the internal and external cost.

C. R2's route is preferred because Type 2 metrics take into account the internal and external cost.

D. R2's route is preferred because Type 2 metrics take into account the external cost only.

Answer: D

Question No : 4 - (Topic 2)

Which statement is true regarding the SPF algorithm?

A. The SPF algorithm is run on a per-domain basis.

B. If you apply an import policy to OSPF, it keeps LSAs from being flooded, and the SPF calculation can be affected.

C. There are two databases used in the calculation, the link-state database and the tree database.

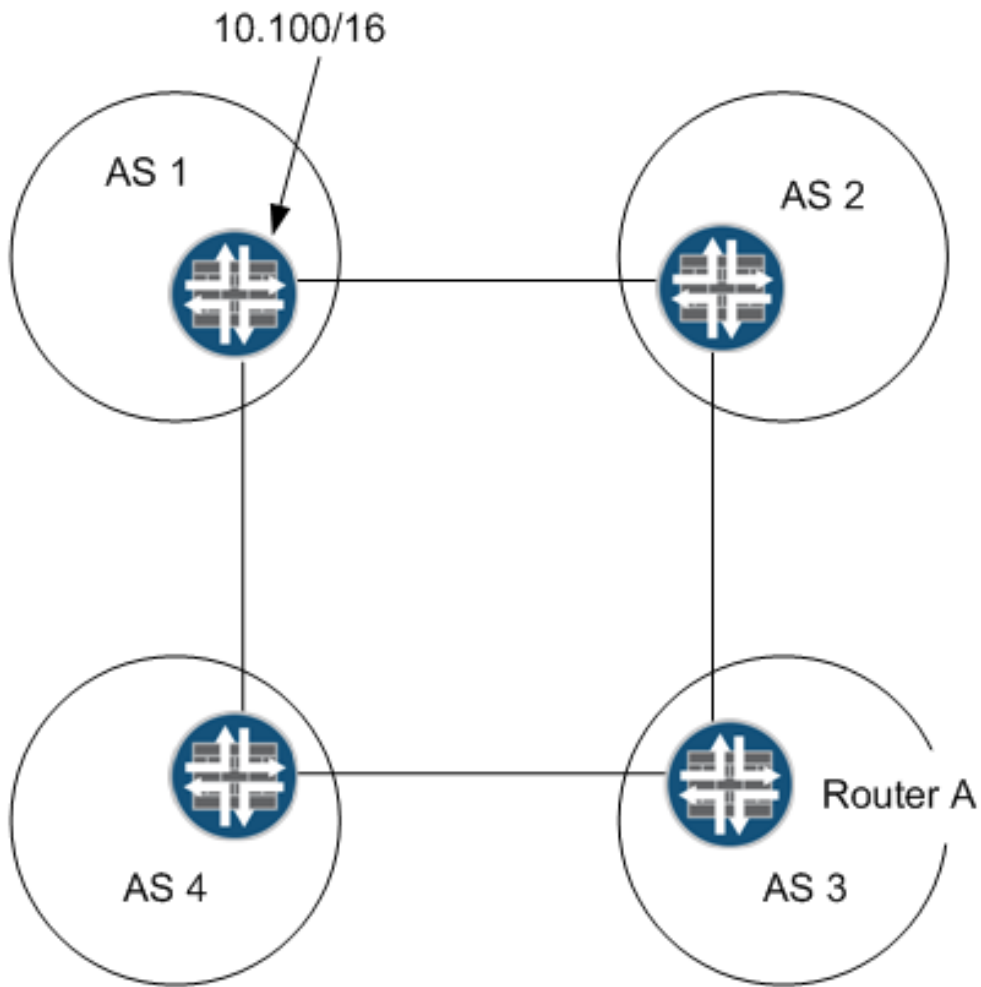
D. The SPF calculation is run on a per-area basis on each router.

Answer: D

Topic 3, Exam Pool C

Question No : 5 - (Topic 3)

-- Exhibit --



-- Exhibit --

Click the Exhibit button.

In the exhibit, the 10.100/16 prefix is introduced at autonomous system 1 (AS1) and propagated through to AS3. Router A in AS3 receives two different paths to these prefixes, one through AS2 and the other through AS4. No BGP attributes have been altered.

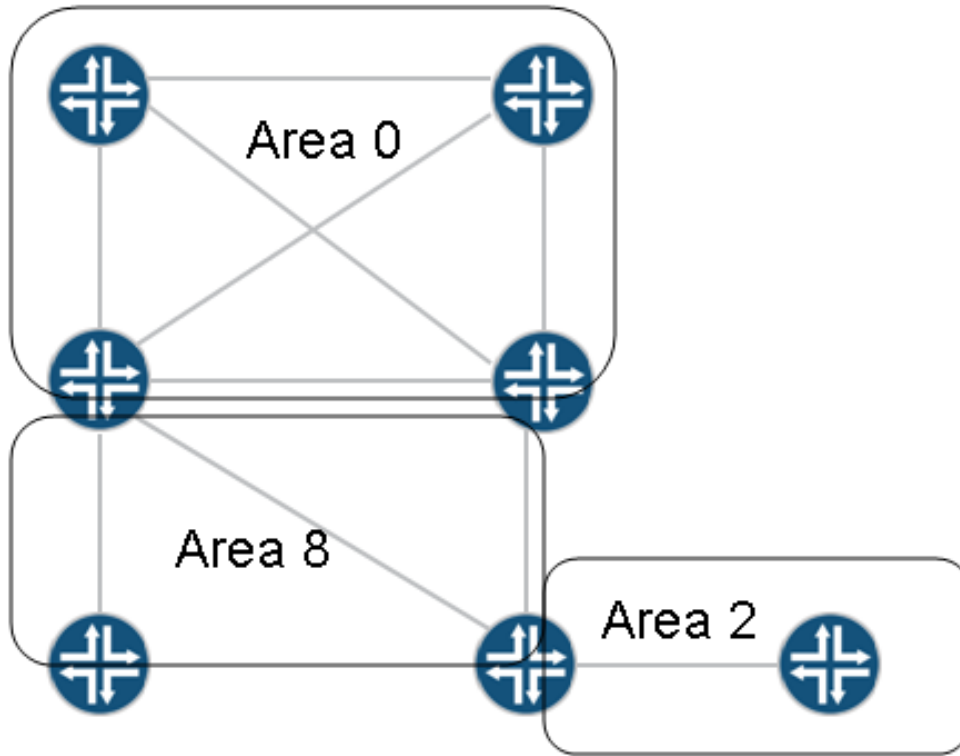
Which path would router A prefer for the 10.100/16 prefix?

- A. the route with the lowest interface address for the EBGP peering session
- B. the route with the lowest local preference
- C. the route to the EBGP peer that has the lowest RID
- D. the route from the EBGP peer that arrived first

Answer: D

Question No : 6 - (Topic 3)

-- Exhibit --



-- Exhibit --

Click the Exhibit button.

Which statement about the non-ABR router in Area 2 in the exhibit is true?

- A. The router has connectivity to all areas.
- B. The router has connectivity to Area 2 only.
- C. The router has connectivity to Area 2 and Area 0.
- D. The router has connectivity to Area 2 and Area 8.

Answer: D

Question No : 7 - (Topic 3)

A Layer 2 forwarding loop occurred on your network during a scheduled maintenance period. You must prevent this behavior in the future.

Which protocol should you enable on the EX Series switch to address this condition in the future?

- A. DVMRP
- B. L2TPv3
- C. STP
- D. RSVP

Answer: C

Question No : 8 - (Topic 3)

-- Exhibit --

```
[edit protocols]
```

```
user@switch# commit
```

```
[edit protocols ]
```

```
'mstp'
```

Another xSTP protocol is enabled

error : Another xSTP protocol is enabled

error: configuration check-out failed

-- Exhibit --

Click the Exhibit button.

Referring to the exhibit, a customer is receiving an error while committing the operation on the switch.

What are two reasons for this problem? (Choose two.)

- A. VSTP and RSTP are both configured.

- B. MSTP and RSTP are both configured.
- C. Only STP is configured.
- D. MSTP and STP are both configured.

Answer: B,D

Question No : 9 - (Topic 3)

You must troubleshoot a CoS issue on an Ethernet interface which has been observed to drop packets in the best effort queue. You must determine whether the dropped packets are tail drops.

Which CLI command output accomplishes this task?

- A. show class-of-service interface
- B. show interfaces queue <interface_name>
- C. show interfaces <interface_name> extensive
- D. show class-of-service forwarding-class best-effort

Answer: B

Question No : 10 - (Topic 3)

You are asked to implement a captive portal on your EX Series switches.

What are three required steps? (Choose three.)

- A. You must create the captive portal login page.
- B. You must ensure the Web service is turned on.
- C. You must specify the interfaces participating in the captive portal.
- D. You must create and apply an authentication profile.
- E. You must create an authentication whitelist.

Answer: B,C,D

Thank You For Trying JN0-643 PDF Demo

To try our JN0-643 Premium Files visit link below:

<https://examsland.com/latest-exam-questions/JN0-643/>

Start Your JN0-643 Preparation

Use Coupon **EL25 for extra 25% discount on the purchase of Practice Test Software.**