

HP

Exam HPE6-A41

Applying Aruba Switching Fundamentals for Mobility

Version: Demo

[Total Questions: 10]

Question No : 1

Which type of 802.11 wireless network can be hosted by an endpoint device such as a laptop?

- A. a wireless distribution system
- B. an ad hoc network
- C. a wireless mesh or bridge
- D. an infrastructure network

Answer: B

Question No : 2

```
Switch# show flash
Image                Size (bytes)  Date      Version
-----
Primary Image :     15540244    03/23/16  KA.16.01.0006
Secondary Image :  15890772    08/24/15  KA.15.15.0014
Boot ROM Version :  KA.15.09
Default Boot : Secondary

Switch# show config files
Configuration files:
id | act pri sec | name
---+-----+-----+-----
1 |   *         | config1
2 |           * | config2
3 | *          | config3
```

The network administrator enters this command:

Switch# reload

Which software and configuration file will load?

- A. software version KA.16.01 and config3
- B. software version KA.15.15 and config2
- C. software version KA.15.15 and config3
- D. software version KA.16.01 and config1

Answer: B

Question No : 3

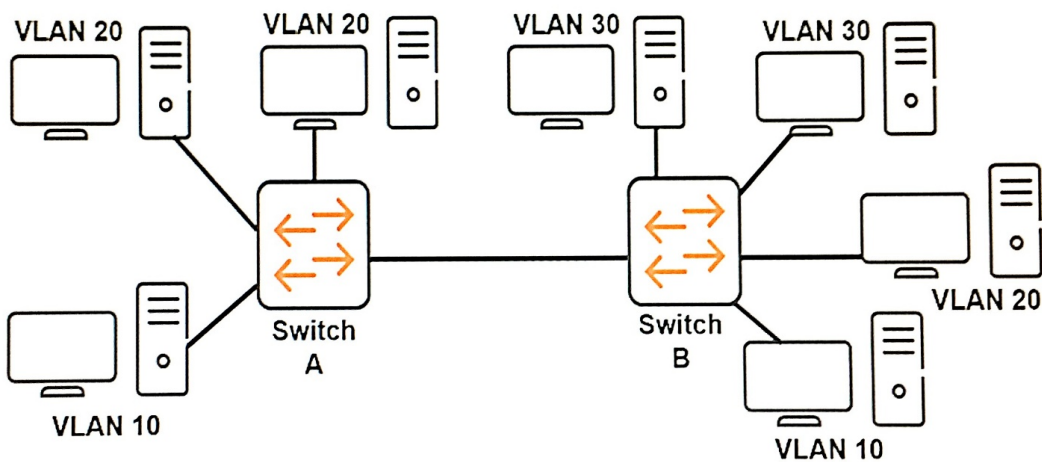
Which security benefit does SNMPv3 offer that SNMPv2 does not offer?

- A. SSL encryption
- B. Scopes
- C. Data integrity
- D. RADIUS groups

Answer: A

Question No : 4

Refer to the exhibit.



The network consists of two ArubaOS switches with routing disabled.

How should the network administrator configure the link between Switch A and Switch B to ensure that all hosts can communicate to all the other hosts within their respective VLANs?

- A. tagged for VLAN 20 and tagged for VLAN 30
- B. untagged for VLAN 10 and tagged for VLAN 30
- C. tagged for VLAN 10 and tagged for VLAN 20
- D. untagged for VLAN 10, untagged for VLAN 20, and tagged for VLAN 30

Answer: C

Question No : 5

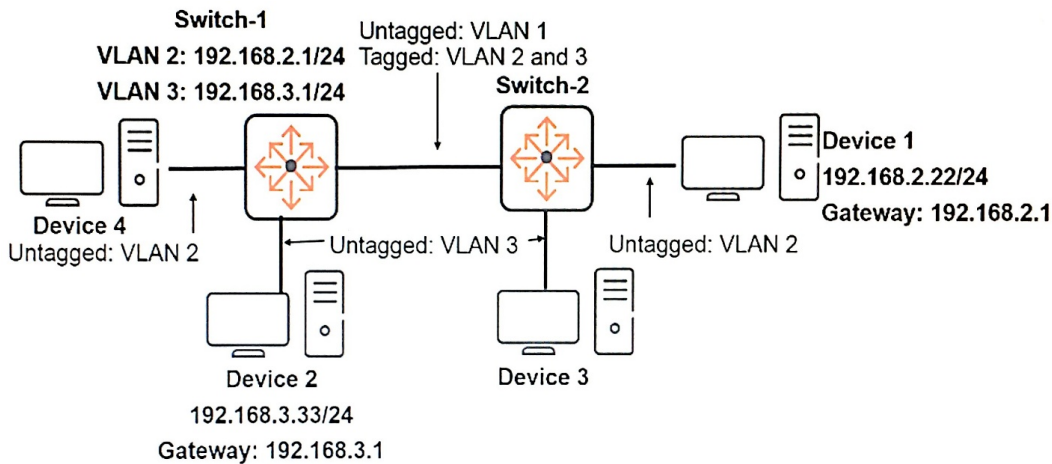
Which settings should match on physical interfaces before a network combines them in a link aggregation?

- A. speed and duplex mode
- B. DSCP and media
- C. speed and VLANs
- D. LLDP TLVs and VLANs

Answer: A

Question No : 6

Refer to the exhibit.



Device 1 needs to send traffic to Device 2, and it sends an ARP request in preparation.

Which devices process this ARP request?

- A. all devices in VLAN 2, 192.168.2.0/24 subnet
- B. all devices connected to Switch-2
- C. all devices in VLAN 3, 192.168.3.0/24 subnet

D. all devices in this network

Answer: A

Question No : 7

Refer to the exhibit.

Exhibit 1.

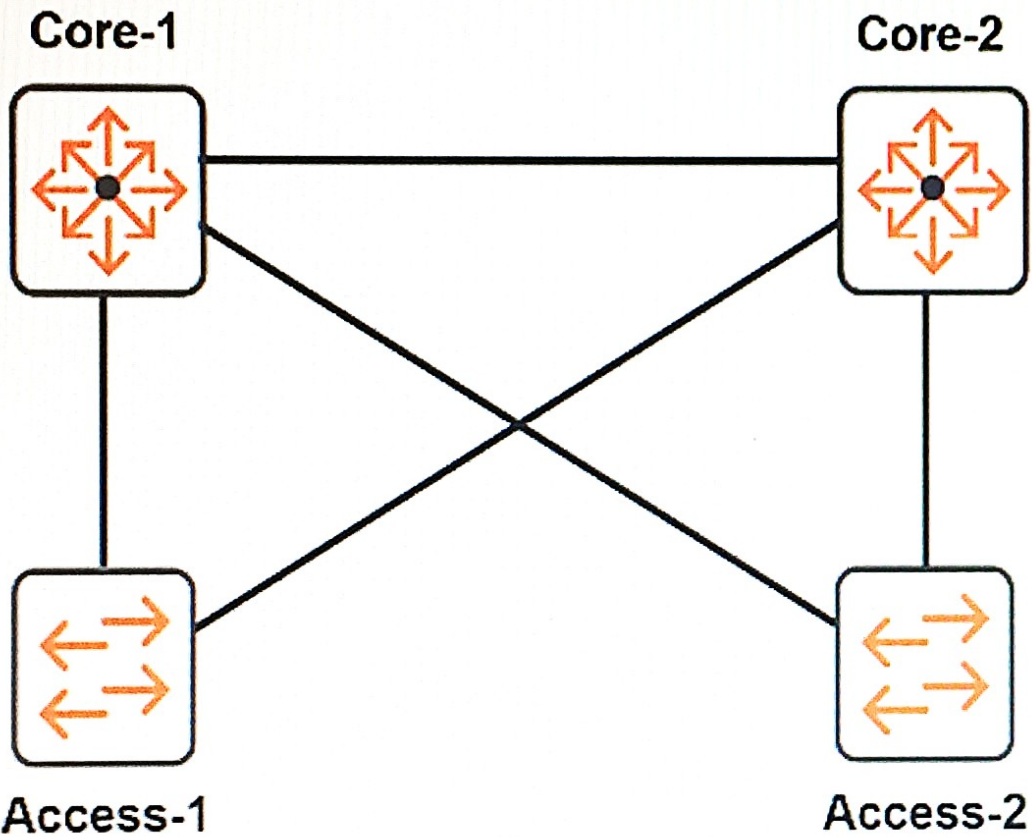


Exhibit 2.

Core-1# show spanning-tree mst-config

MST Configuration Identifier Information

MST Configuration Name : exam
MST Configuration Revision : 1
MST Configuration Digest : 0xF92468D366CF3C647EB33C03B166AD59

IST Mapped VLANs : 1-9,30-4094

Instance ID Mapped VLANs

1 10-19
2 20-29

Core-2# show spanning-tree mst-config

MST Configuration Identifier Information

MST Configuration Name : exam
MST Configuration Revision : 0
MST Configuration Digest : 0xF92468D366CF3C647EB33C03B166AD59

IST Mapped VLANs : 1-9,30-4094

Instance ID Mapped VLANs

1 10-19
2 20-29

Exhibit 3.

```
Access-1# show spanning-tree mst-config
```

```
MST Configuration Identifier Information
```

```
MST Configuration Name : Access-1
MST Configuration Revision : 1
MST Configuration Digest : 0xF92468D366CF3C647EB33C03B166AD59
```

```
IST Mapped VLANs : 1-9,30-4094
```

```
Instance ID Mapped VLANs
```

```
-----
1          10-19
2          20-29
```

```
Access-2# show spanning-tree mst-config
```

```
MST Configuration Identifier Information
```

```
MST Configuration Name : exam
MST Configuration Revision : 1
MST Configuration Digest : 0x483AAD884DAE97827C26B3C21DF64E1E
```

```
IST Mapped VLANs : 1-9,11-18,21-28,30-4094
```

```
Instance ID Mapped VLANs
```

```
-----
1          10,19
2          20,29
```

How many MSTP regions exist in the topology shown in the exhibit?

- A. one
- B. two
- C. three
- D. four

Answer: B

Question No : 8

A network administrator needs to configure a static route.

What should the administrator use as the next hop address?

- A. the lowest IP address on the neighboring router in the path towards its destination

- B. the IP address on the local interface that is used to egress traffic towards its destination
- C. the IP address of the default gateway in the destination subnet
- D. the IP address on the connected interface of a neighboring router in the path towards its destination

Answer: D

Question No : 9

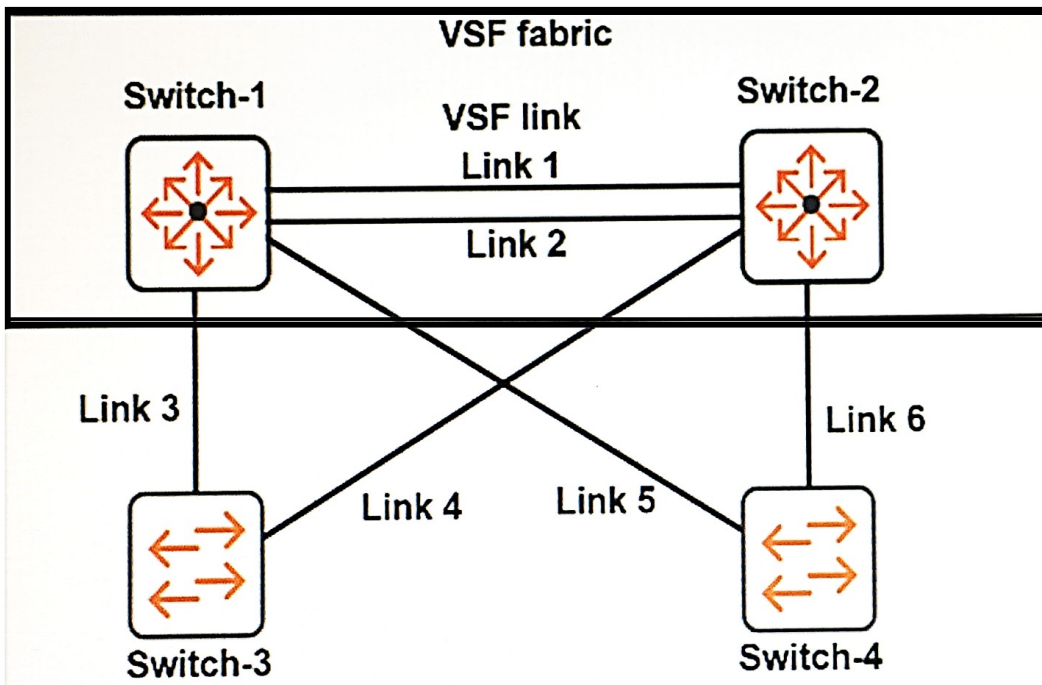
A network administrator plans to set up a WLAN on an Aruba Instant cluster. The WLAN uses WPA/WPA2 Enterprise security. The administrator wants no authenticate users locally on the cluster.

How should the administrator configure me credentials?

- A. Add a user account for each employee to the cluster internal server database.
- B. Import authorized device MAC addresses to the cluster.
- C. Implement a shared secret or password in the cluster WLAN settings.
- D. Set up an external RADIUS server for authorization.

Answer: D

Question No : 10



Which links can be combined in the same link aggregation?

- A. Links 3 and 4
- B. Links 3 and 5
- C. Links 3 and 6
- D. Links 4 and 6

Answer: A

Explanation:

We can also aggregate link 5 and 6

Thank You For Trying HPE6-A41 PDF Demo

To try our HPE6-A41 Premium Files visit link below:

<https://examsland.com/latest-exam-questions/HPE6-A41/>

Start Your HPE6-A41 Preparation

Use Coupon **EL25 for extra 25% discount on the purchase of Practice Test Software.**