

Dell

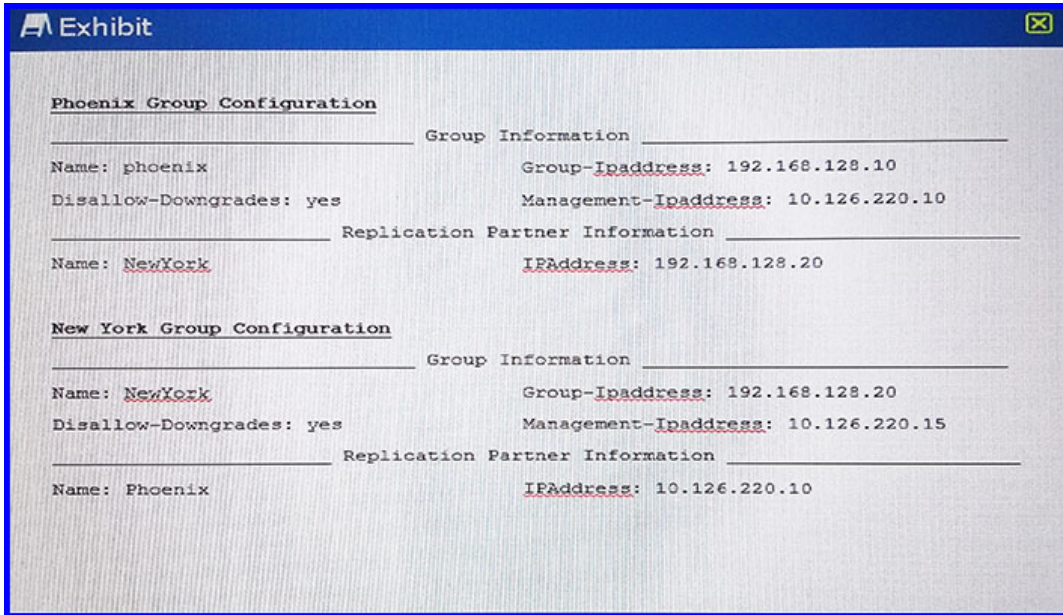
Exam DSDPS-200

Dell PS Series Storage Professional Exam

Version: Demo

[Total Questions: 10]

Question No : 1



Refer to the exhibit.

An installer configures one Dell PS Series group in Phoenix and one in New York as shown. Only one-way replication from Phoenix to New York is required.

Which two configuration items are incorrect? (Choose two.)

- A. On New York – replication partner group IP is incorrect
- B. On Phoenix – replication partner group IP is incorrect
- C. On Phoenix – replication partner name is incorrect
- D. On New York – replication partner name is incorrect

Answer: B,D

Explanation:

B: The Replication Partner IP address should be 10.126.220.15, not 192.168.128.20.

D: The Replication Partner name should be phoenix, not Phoenix.

Question No : 2

A customer needs to use a Disaster Recovery (DR) site for replication. The customer provides the following information:

- Volumes to replicate: 1
- Volume size (total): 1.5 TB
- Total data set size: 1 TB
- Change rate: Averages 10% per hour

After setting up replication, the customer monitors the results. The volume replicates successfully only about 75% the time. The remaining time, no data is replicated. Although some replications have failed, no user intervention has occurred. The replication works on subsequent intervals.

Which action should be taken to ensure reliable replication?

- A. increase the replica reserve on the targetarray
- B. increase the delegated space on the target array
- C. increase the local replica reserve
- D. enable fast failback

Answer: C

Explanation:

If there is not enough free local replication reserve to complete a replication operation, one of the following occurs:

- * If you did not enable the option to borrow free pool space, or if you enabled the option, but there is not enough free pool space, the primary group cancels the replication and generates an event message, stating that the replication was canceled.
- * If you enabled the option to borrow free pool space, and sufficient free pool space is available (at least 10% free pool space), replication continues. The primary group generates an informational message, specifying that it is temporarily using free pool space

during the replication.

References:<http://psonlinehelp.equallogic.com/en/V6.0/groupmanager.htm>(About Local Replication Reserve)

Question No : 3

A customer is moving to a new datacenter and needs to put the existing two members into a new subnet. Each array has two iSCSI ports. The group does NOT use a dedicated management port.

What is the correct sequence of steps to change all physical and group IPs on the members to the new subnet?

- A. - Change 1st port array physical ports first- Change Group IP second- Change 2nd port array physical ports last
- B. - Change Group IP first- Change 2nd port array physical ports second-Change 1st port array physical ports last
- C. - Change 1st port array physical ports first- Change 2nd port array physical ports second- Change Group IP last
- D. - Change 2nd port array physical ports first- Change GroupIP second- Change 1st port array physical ports last

Answer: C

Explanation:

Note:

* Changing the group IP address disconnects any iSCSI connections to the group and any administrators logged in to the group through the group IP address.

* If you change the IP address of a group for which you are running the GUI locally, or configure a management network for the group, you must uninstall the standalone GUI application and then install it again.

References:<http://psonlinehelp.equallogic.com/en/V6.0/groupmanager.htm>(About Group Network Configuration)

Question No : 4

An administrator needs to change the RAID type from RAID 10 to either RAID 50 or RAID 6.

What must the administrator select before Modify RAID Configuration within the Activities pane?

- A. Tools within the Tool pane
- B. Storage Pools within Group pane
- C. Member within the Group pane
- D. Group Configuration within the Group pane

Answer: B

Explanation:

Pools allow you to organize storage by RAID type.

Question No : 5

An installer sets up multiple volumes on a PS Series group and uses CHAP for access control. A host can NOT access the volume named TESTVOL. The host can see the volume target name in its iSCSI initiator and another server on the same subnet can access it.

What is the probable cause of this issue?

- A. The host has the incorrect Group IP address in its initiator.

- B. The host has the incorrect CHAP account configured.
- C. The volume has multi-host access disallowed.
- D. The volume has multi-host access allowed.

Answer: C

Explanation:

In a shared storage environment, you must control computer access to iSCSI targets (volumes and snapshots), because multiple computers writing to a target in an uncoordinated manner might result in volume corruption.

When an initiator tries to log in to a target, the group uses access control records to determine if access should be authorized. However, access control records do not prevent multiple initiators, either on the same computer or different computers, from accessing the same target.

Therefore, by default, the group disables multi-host (shared) access to a target. Therefore, only one iSCSI qualified name (IQN) can connect to a target at one time.

Note: You can use Challenge Handshake Authentication Protocol (CHAP) for iSCSI authentication to manage access controls more efficiently. Using a challenge-response mechanism, CHAP restricts target access through user names and passwords instead of unique IP addresses or iSCSI initiator names. You can use CHAP to authenticate iSCSI initiators by specifying a CHAP user name in an access control record. In response, a computer must supply the user name and its password (or “secret”) in the initiator configuration interface when logging in to the target.

References:http://psonlinehelp.equallogic.com/V5.0/Content/V5TOC/Multi_Host_access_to_targets.htm

Question No : 6

Which four PC arrays support Vertical Port Failover? (Choose four.)

- A. 6510
- B. 5500

- C. 6610
- D. 6100
- E. 4210
- F. 6210

Answer: C,D,E,F

Explanation:

References: DellPS Series Configuration Guide, Dell Storage Engineering

Question No : 7

When does a VLAN ID need to be configured on Dell PS Series arrays?

- A. Data Center Bridging (DCB) is configured.
- B. Asynchronous replication is configured.
- C. A dedicated management port is configured.
- D. No dedicated management port is configured.

Answer: A

Explanation:

To enable Data Center Bridging, perform the following tasks:

- * Enable DCB in the Group Manager GUI or CLI
- * Specify the VLAN ID

References: Configuring Data Center Bridging

<http://psonlinehelp.equallogic.com/en/V6.0/groupmanager.htm>

Question No : 8

A technician is setting up a 10 GbE PS Series group SAN using 10 GbE switches in a converged iSCSI network.

What is recommended to set up this group to ensure good performance and delivery?

- A. VLAN tagging
- B. Quality of Service (QoS)
- C. Data Center Bridging
- D. Virtualize the network infrastructure

Answer: C

Explanation:

The arrival of 10 Gigabit Ethernet (10GbE) along with the Data Center Bridging (DCB) and Fibre Channel over Ethernet (FCoE) specifications holds the promise of a truly converged network fabric.

10GbE offers the necessary throughput to help accomplish the Unified network fabric for a convergence paradigm, and the DCB specification is the last piece of the convergence paradigm that is falling into place.

Note: The DCB specification provides a set of standards-based extensions to traditional Ethernet, offering a lossless data center transport layer that allows the convergence of LANs and SAN.

References: <http://www.dell.com/downloads/global/power/ps3q09-20090392-Chadran.pdf>

Question No : 9

An installer needs to deploy a PSM4110 array in a new blade chassis. iSCSI switches are installed in slots B1 and B2. The array is installed in the chassis.

Which other connections are required for server blades to access storage?

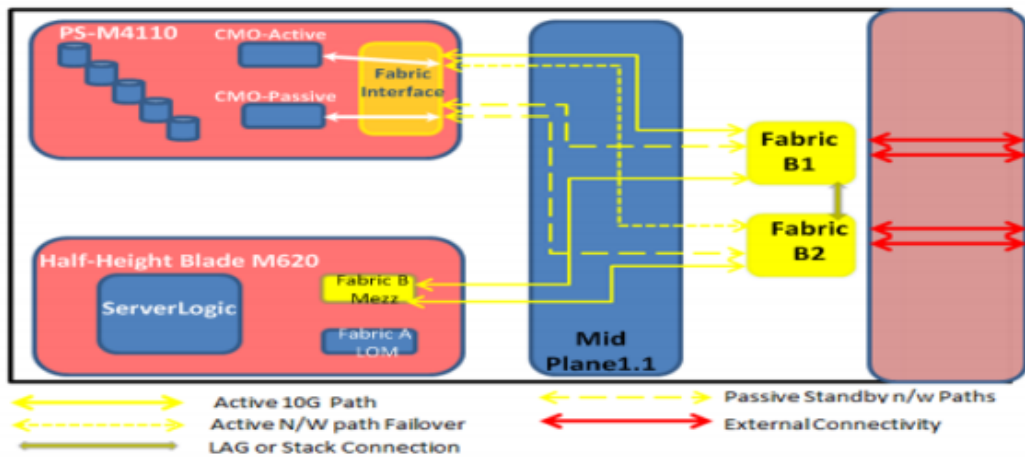
- A. enable stacking on the mid-plane
- B. install cables between the two fabric B switches
- C. enable Link Aggregation on the mid-plane
- D. install cables between the switch in slot B1 and the top-of-rack switch

Answer: A

Explanation:

When using a PS-M4110 inside an M1000e enclosure, the I/O modules are interconnected (Stacked or LAGged together). This interconnection is achieved by configuring LAG or stack on the appropriate switchports.

Figure, PS-M4110 Storage Array Connectivity



References: Microsoft SQL Server Database Consolidation using Dell EqualLogic PSM4110 blade arrays, PowerEdge M620 blade servers and Force10 MXL Switches, page 8
http://en.community.dell.com/techcenter/enterprise-solutions/m/sql_db_gallery/20367895/download

A customer shares an iSCSI network with other traffic.

What is the Dell-recommended approach to maintain acceptable performance?

- A. Data Center Bridging (DCB)
- B. Quality of Service (QoS)
- C. Virtual Local Area Network (VLAN)
- D. Internet Storage Name Service (iSNS)

Answer: A

Explanation:

Data center bridging (DCB) is a networking standards upgrade, intended to improve the performance, controllability, and reliability of the Ethernet fabric. DCB can make Ethernet the unified fabric for different types and priorities of data traffic in the data center.

References: <http://psonlinehelp.equallogic.com/en/V6.0/groupmanager.htm> (Configuring Data Center Bridging)

Thank You For Trying DSDPS-200 PDF Demo

To try our DSDPS-200 Premium Files visit link below:

<https://examsland.com/latest-exam-questions/DSDPS-200/>

Start Your DSDPS-200 Preparation

Use Coupon **EL25 for extra 25% discount on the purchase of Practice Test Software.**