

# Brocade

## Exam 170-010

### Brocade Certified vRouter Engineer

Version: Demo

**[ Total Questions: 10 ]**

**Question No : 1**

Your eth1 interface is connected to an ISP, but your user traffic is still not reaching the Internet. You suspect a problem with the DHCP lease.

```
vyatta@vyatta:~$ show dhcp client leases
```

```
interface : eth1
```

```
ip address : 192.168.128.11 [Active]
```

```
subnet mask : 255.255.255.0
```

```
router : 182.168.128.2
```

```
name server : 192.168.128.2
```

```
dhcp server : 192.168.128.2
```

```
lease time : 86400
```

```
last update : Wed Jun 19 00:06:00 GMT 2013
```

```
expiry : Thu Jun 20 00:06:00 GMT 2013
```

```
reason : BOUND
```

```
vyatta@vyatta:~$
```

Which line in the output shows the problem?

- A. ip address : 192.168.128.11 [Active]
- B. router : 182.168.128.2
- C. lease time : 86400
- D. reason : BOUND

**Answer: B**

**Question No : 2**

Which two elements are required in a source NAT rule? (Choose two.)

- A. set source address <ip-addr>
- B. set translation address [<ip-addr> | masquerade]

- C. set protocol number
- D. set outbound-interface <interface>

**Answer: B,D**

**Question No : 3**

Which two steps are required to enable logging of NAT traffic? (Choose two.)

- A. Enable logging of the NAT rule.
- B. Enable logging of the NAT rulebase.
- C. Ensure there is sufficient disk space for potential logged information.
- D. Enable debug-level logging on the device.

**Answer: A,C**

**Question No : 4**

Based on the output,

```
vyatta@VYA1:~$ show ip ospf database
```

```
OSPF Router with ID (172.24.42.51) (Process ID 0)
```

```
Router Link States (Area 0.0.0.0)
```

```
Link ID ADV Router Age Seq# CkSum Link count
```

```
172.24.42.51 172.24.42.51 167 0x80000008 0xa98e 3
```

```
172.24.42.52 172.24.42.52 166 0x80000006 0x21e7 3
```

```
172.24.42.53 172.24.42.53 6 0x8000000b 0x7854 3
```

```
172.24.42.54 172.24.42.54 7 0x80000003 0x1183 4
```

```
Net Link States (Area 0.0.0.0)
```

Link ID ADV Router Age Seq# CkSum

192.168.12.1 172.24.42.51 327 0x80000002 0x92e8

192.168.13.3 172.24.42.53 32 0x80000002 0x6d08

192.168.23.3 172.24.42.53 602 0x80000002 0x0d5d

192.168.160.3 172.24.42.53 10 0x80000003 0x3e9f

AS External Link States

Link ID ADV Router Age Seq# CkSum Route Tag

0.0.0.0 172.24.42.51 187 0x80000003 0x04a1 E2 0.0.0.0/0 254

which router is advertising the default route?

- A. 172.24.42.51
- B. 172.24.42.52
- C. 172.24.42.53
- D. 172.24.42.54

**Answer: A**

**Question No : 5**

What are three characteristics of TCP? (Choose three.)

- A. connectionless
- B. uses sequence numbers
- C. uses a sliding window for flow control
- D. no congestion control
- E. retransmission of missing/bad segment

**Answer: B,C,E**

**Question No : 6**

Given the address 172.16.99.1 and a mask of 255.255.252.0, what is the subnet number?

- A. /20
- B. /22
- C. /26
- D. /38

**Answer: B**

### Question No : 7

Your device is about to transmit a packet from host 10.1.1.1 to destination 172.16.22.33.

```
vyatta@VYA1:~$ show nat destination rules
Disabled rules are not shown
Codes: X - exclude rule

rule      intf          translation
----      -
10        eth0          daddr 1.2.3.4 to 172.24.42.99
          proto-tcp    dport 25

20        eth0          daddr 1.2.3.4 to 172.24.42.101
          proto-udp    dport 53

vyatta@VYA1:~$ show nat source rules
Disabled rules are not shown
Codes: X - exclude rule, M - masquerade rule

rule      intf          translation
----      -
M10       eth0          saddr ANY to 172.24.42.51
          proto-all   sport ANY

30        eth0          saddr ANY to 172.24.42.51
          proto-all   sport ANY
          when daddr !172.16.0.0/16, dport ANY

40        eth0          saddr 172.24.42.99 to 1.2.3.4
          proto-tcp   sport ANY
          when daddr ANY, dport 25

vyatta@VYA1:~$
```

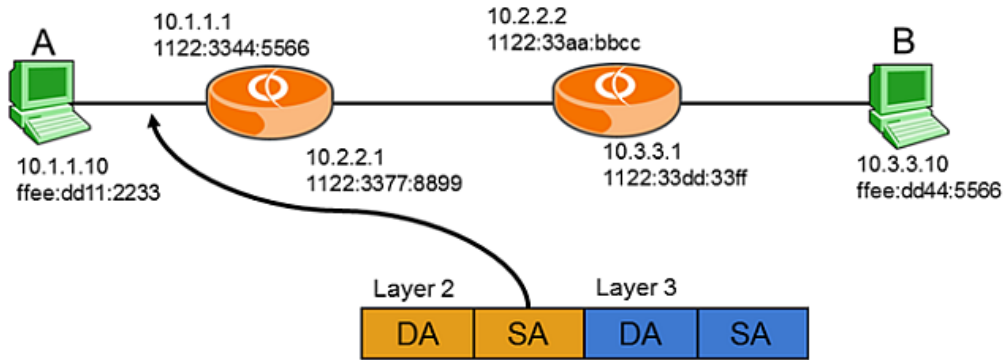
What will be the source address after the packet is transmitted?

- A. 172.24.42.51
- B. 1.2.3.4
- C. 172.24.42.99
- D. 10.1.1.1

**Answer: D**

**Question No : 8**

Data is being transmitted from host A to host B.



If you were to view a frame at the point indicated in the exhibit, what would the destination IP address be?

- A. 10.1.1.1
- B. 10.2.2.2
- C. 10.3.3.1
- D. 10.3.3.10

**Answer: D**

**Question No : 9**

```
vyatta@vyatta:~$ show dhcp server leases
```

```
IP address Hardware Address Lease expiration Pool Client Name
```

```
-----
```

```
10.224.7.40 00:04:f2:02:84:49 2013/06/22 17:46:20 ClientLAN
```

```
10.224.7.41 d4:be:d9:1b:ed:9e 2013/06/22 20:27:26 ClientLAN PC-HR-34
```

```
vyatta@vyatta:~$ show dhcp server statistics
```

```
pool pool size # leased # avail
```

```
-----
```

```
ClientLAN 11 2 9
```

```
vyatta@vyatta:~$
```

Based on the output shown, which statement is true?

- A. The address lease interval is 24 hours.
- B. 10.224.7.40 is the first address in the pool named Windows.
- C. The pool named ClientLAN has 11 total addresses.
- D. PC-HR-34 is connected directly to the vRouter.

**Answer: C**

**Question No : 10**

Which command will display the revision of software installed?

- A. show entitlement
- B. show system image
- C. show revision
- D. show version

**Answer: D**

**Thank You For Trying 170-010 PDF Demo**

**To try our 170-010 Premium Files visit link below:**

**<https://examsland.com/latest-exam-questions/170-010/>**

**Start Your 170-010 Preparation**

**Use Coupon **EL25** for extra 25% discount on the purchase of Practice Test Software.**